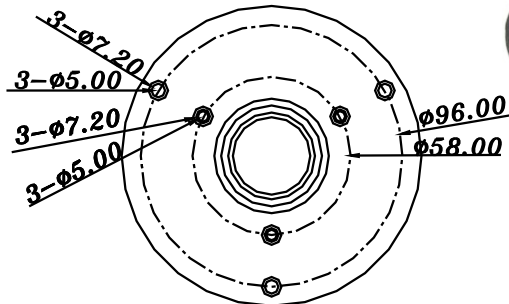
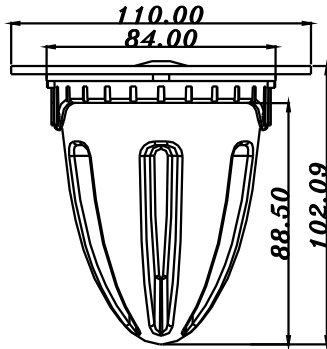


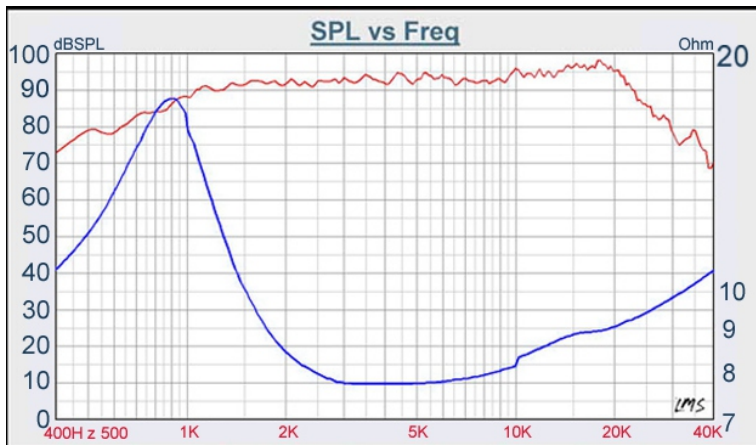
TW SERIES

28-1582S



- SOFT FABRIC DOME DIAPHRAGM COATED WITH HIGH LOSS MATERIAL
- FERROFLUID COOLED
- DIE CAST ALUMINIUM FRONT PANEL
- NEODYMIUM DESIGN
- CCAW VOICE COIL
- NON RESONANCE ENGINEERING PLASTIC FOR BACK CHAMBER
- SHORT RING TREATED, LOW 2nd, 3rd DISTORTION

28mm FABRIC DOME TWEETER



DIAPHRAGM MTL	Fabric
SURROUND MTL	N/A
NOMINAL IMPEDANCE	8 Ω
DCR IMPEDANCE	6 Ω
SENSITIVITY 1W/1m	94 dB
FREQUENCY RESPONSE	900 - 20K Hz
FREE AIR RESONANCE	900 Hz
VOICE COIL DIAMETER	28 mm
AIR GAP HEIGHT	3 mm
RATED POWER INPUT	12 W
MAXIMUM POWER INPUT	100 W
FORCE FACTOR, BL	N/A
TYPE OF MAGNET	Neodymium
MOVING MASS	N/A
FERROFLUID ENHANCED	Yes
SUSPENSION COMPLIANCE	N/A
EFFECTIVE PISTON AREA	N/A
Levc	0.008 mH
Zo	15 Ω
X-max	0.2 mm
Vas	N/A
Qts	N/A
Qms	N/A
Qes	N/A

TB SPEAKERS

VOICE: 886.2.26570282 FAX: 886.2.26580166
E-MAIL: info@tb-speaker.com